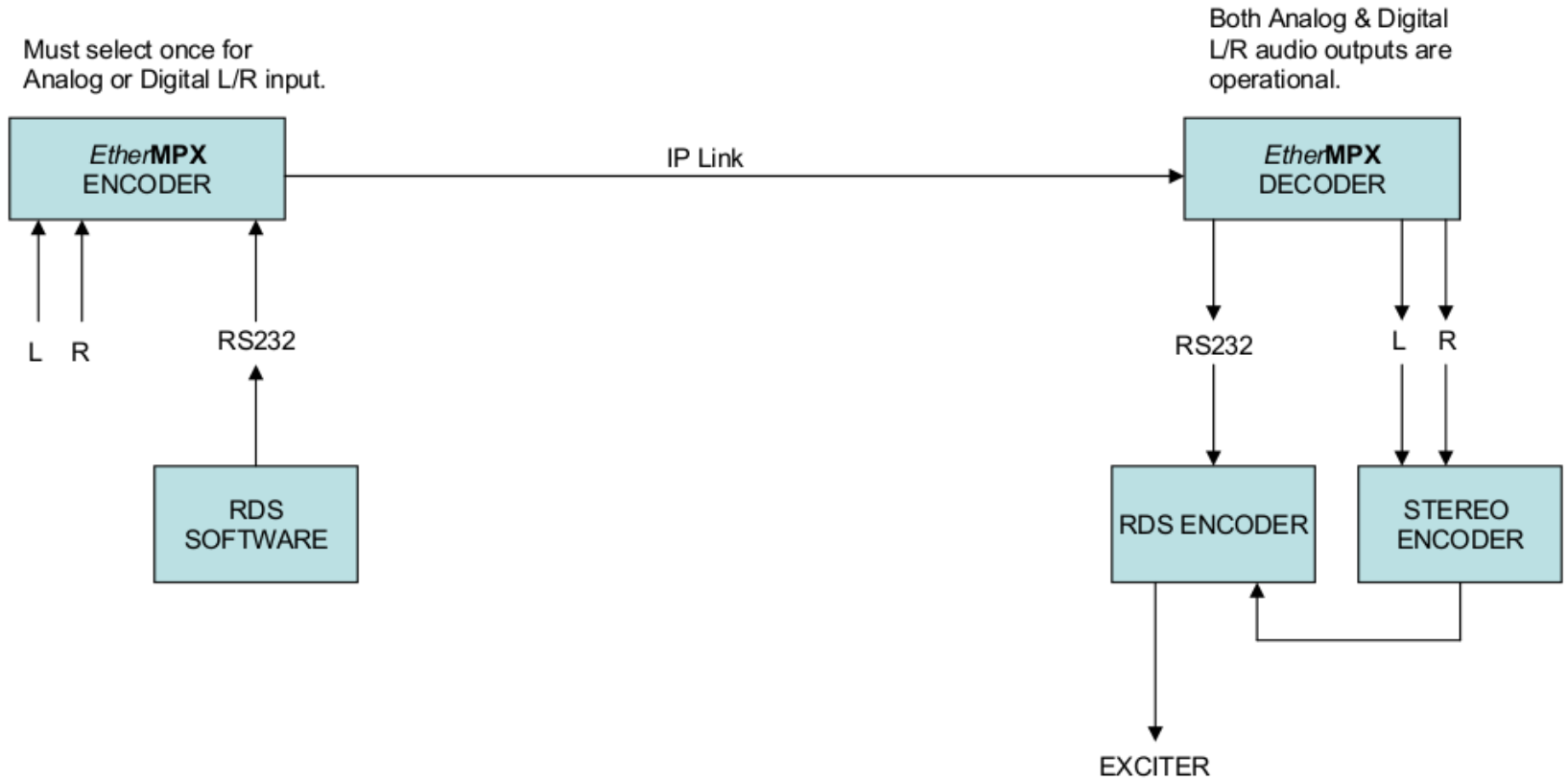


EtherMPX Configuration Examples



Example 4:

Sending L/R (analog or digital), and RDS data. **Stereo and RDS encoders must be installed at transmitter site.**