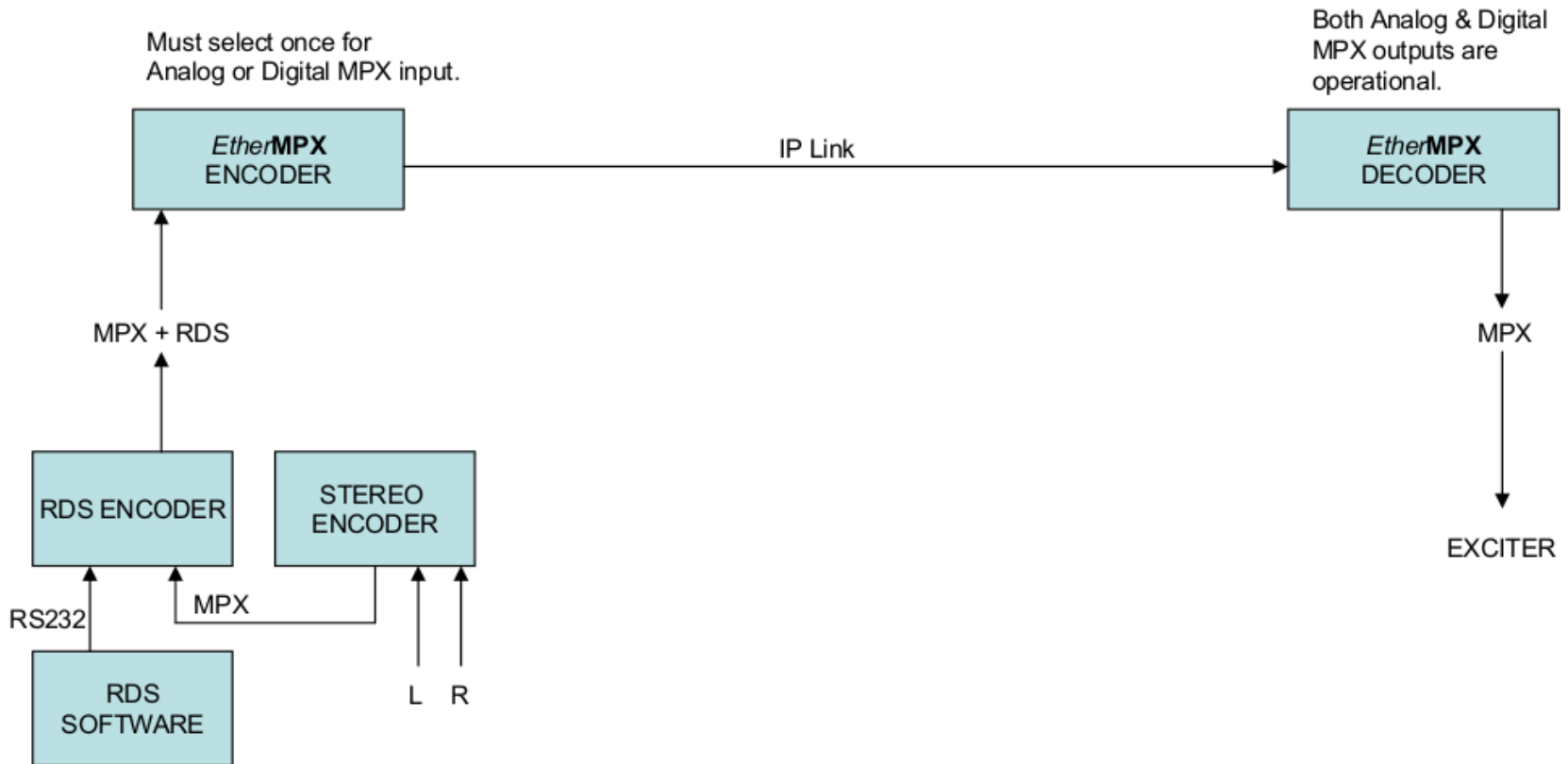


EtherMPX Configuration Examples



Example 2:

Sending MPX+RDS (analog or digital), by using the internal stereo encoder of audio processor. MPX output of audio processor is then inserted into RDS encoder to add RDS on MPX.