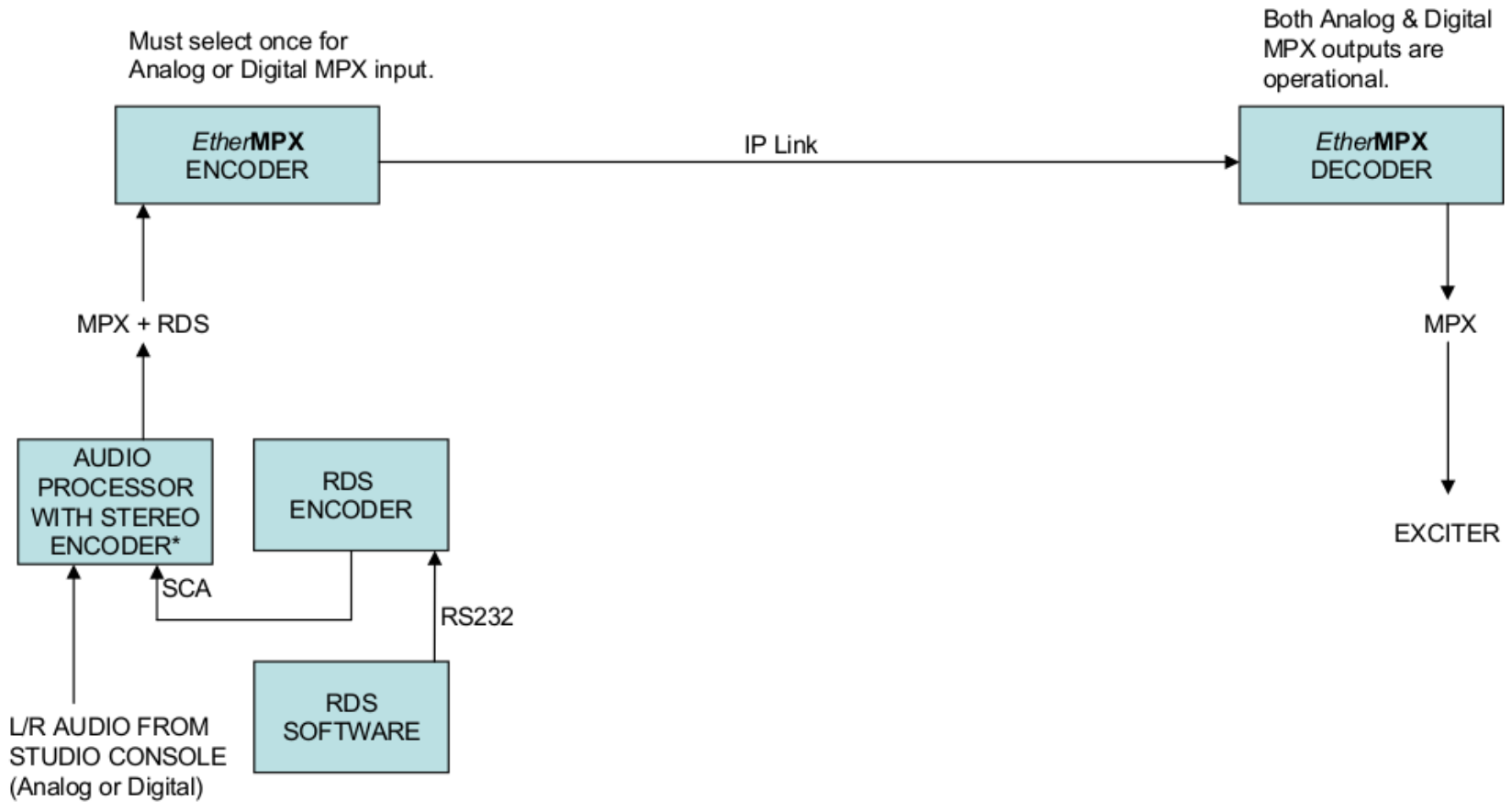


# EtherMPX Configuration Examples



\*NOTE: Only Omnia.9 can provide Digital MPX

## Example 1:

Sending MPX+RDS (analog or digital), by using the internal stereo encoder of audio processor. RDS is fed to SCA input of audio processor.